

Searches

[Part Information](#) | [Specifications](#) | [Line Drawings](#) | [Panel Cutout](#)

Quick Search

Global Part Search **NEW!**

Global Search

Company Information

About Tuchel

Amphenol Corporate

Our Commitment

Terms & Conditions

Environmental Information

Online Catalogs

Automotive Interconnect

Industrial Connectors

Search by Family

Search by Part

Process Info Request

Download Catalog

Smart Card Connectors

Contact Information

Find a Sales Location

Distributors

Technical Support

Contact Us

Amphenol Corporation



Part Information:



Part Number: C016 20C005 100 2

Description: Male receptacle, flange mounting with mounted gasket, 5+PE screw termination

Family: C16-3

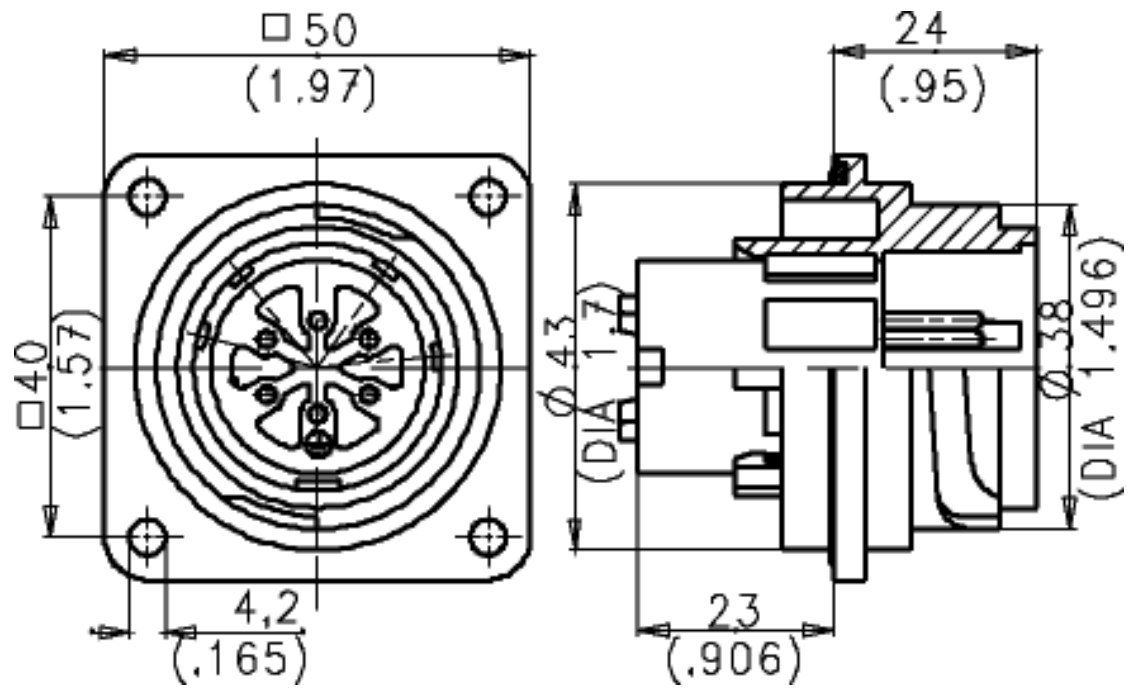


Specifications

Shell Size 2				
Number of contacts	5+PE	12+PE	14+PE	19+PE
Termination	screw	crimp	crimp	crimp
Wire gauge	4 mm ²	0.14 - 2.5 mm ²	0.14 - 2.5 mm ²	0.14 - 1.0 mm ²
Rated Insulation Voltage	400V	3 x 500V 9 x 300V	400V	250V
Current carrying capacity	21 A	3 x 21 A 9 x 11 A	4 x 6 A 11 x 12 A	6 A
Pollution degree	3	3	3	3
Installation category	III	III	III	III
Protection class	IP 65	IP 65	IP 65	IP 65

General	Standard	Characteristics			
Number of contacts		5+PE	12+PE	14+PE	19+PE
Electrical					
Rated insulation voltage	IEC 60664-1	400 V	3 x 500 V 9 x 300 V	400 V	250 V
Rated impulse withstand voltage	IEC 60664-1	6000 V	3 x 6000V 9 x 4000V	3110 V	4000 V
Pollution degree	IEC 60664-1	3	3	3	3
Installation (overvoltage) category	IEC 60664-1	III	III	III	III
Material group	IEC 60664-1	II	II	II	II
Test voltage	IEC 60664-1	2900 V	3 x 2900 V 9 x 1960 V	3110 V	1960 V
Current carrying capacity	IEC 60512-3	21 A	3 x 21 A 9 x 11 A	4 x 11 A 11 x 12 A	7 A
Insulation resistance	IEC 60512-2	>10 ⁸ Ω			
Contact resistance	IEC 60512-2	≤5 mΩ			
Climatical					
Climatic category	IEC 60068-1	40 / 100 / 56	40 / 125 / 56		
Temperature range		-40°C ... +125°C (5+PE: + 100°C)			
Mechanical					
IP-degree	IEC 60529	IP 65			
Insertion and withdrawal forces	IEC 60512-7	≤ 15 N	≤ 25 N	≤ 30 N	≤ 25 N
Mechanical operation	IEC 60512-5	≥ 500 mating cycles			
Materials					
Housing		Polyamid 6.6			
Dielectric		Polyamid 6.6			
Gasket		Neoprene			
Contact plating		Silver			
Other Characteristics					
Termination technique		screw	crimp		
Wire gauge		4 mm ²	0.14 - 2.5mm ²	0.14 - 2.5mm ²	0.14 - 1.0mm ²
Flammability		UL 94 VO			

TOP Line Drawings



TOP Panel Cutout

